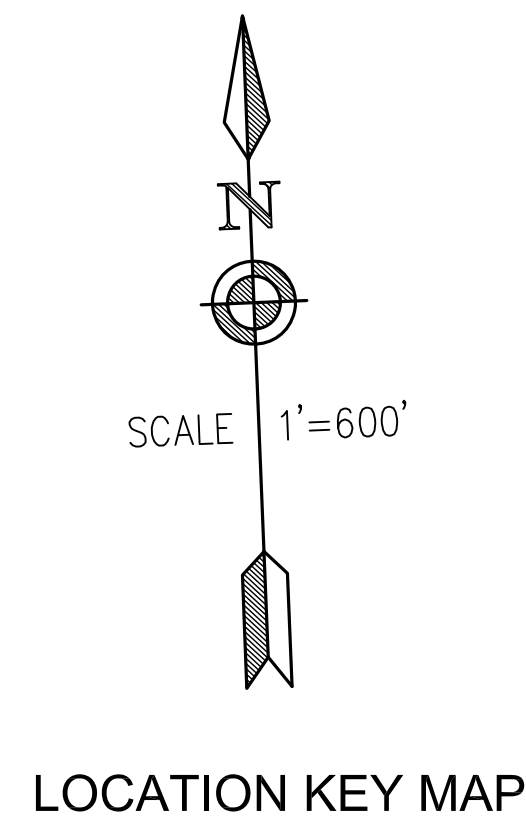
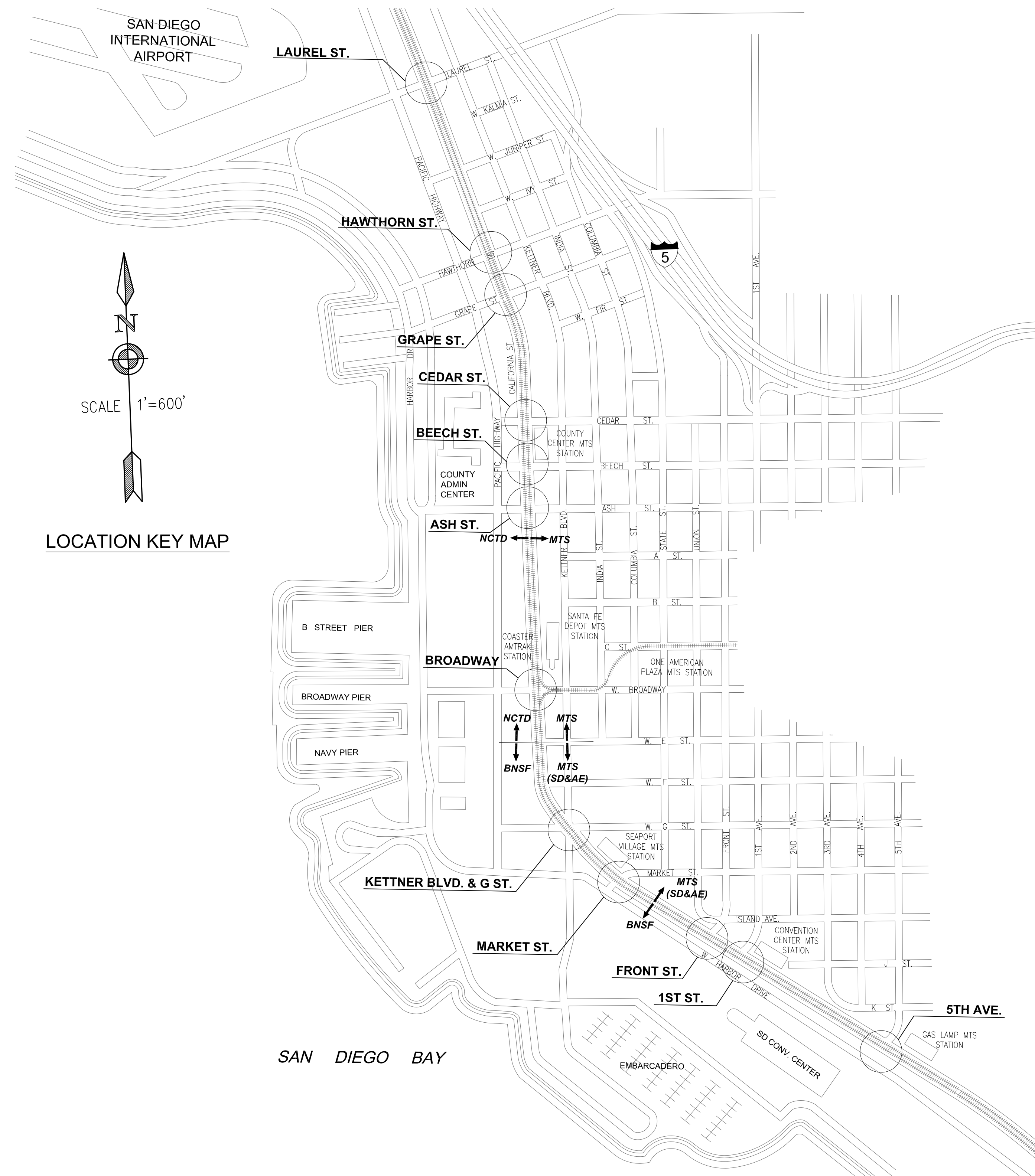


DOWNTOWN SAN DIEGO QUIET ZONE

CITY OF SAN DIEGO REDEVELOPMENT AGENCY
SAN DIEGO, CA



LOCATION KEY MAP

WORK TO BE DONE

THE IMPROVEMENTS CONSIST OF THE FOLLOWING WORK TO BE DONE ACCORDING TO THESE PLANS, THE PROJECT SPECIFICATIONS, AND STANDARD DRAWINGS OF THE CITY OF SAN DIEGO.

STANDARD SPECIFICATIONS

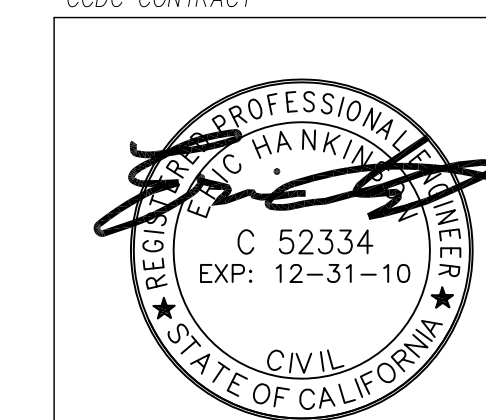
- STANDARD SPECIFICATIONS FOR PUBLIC WORKS CONSTRUCTION, 2009 EDITION (GREENBOOK), DOCUMENT NO. PITS0504091, INCLUDING THE REGIONAL AND CITY OF SAN DIEGO SUPPLEMENT, DOCUMENT NO. PITS0504092.
- 1999 STANDARD PROVISIONS FOR SIGNALS, LIGHTING AND ELECTRICAL SYSTEMS OF THE CITY OF SAN DIEGO, DOCUMENT NO. 769842, FILED OCTOBER 22, 1999.
- CALIFORNIA MANUAL ON UNIFORM TRAFFIC CONTROL DEVICES (FHWA'S MUTCD, 2003 EDITION, AS EMENDED FOR USED IN CALIFORNIA), DOCUMENT NO. AEC1231064, FILED DECEMBER 31, 2006.
- STATE OF CALIFORNIA, DEPARTMENT OF TRANSPORTATION, STANDARD SPECIFICATIONS, DOCUMENT NO. AEC0925062.

STANDARD DRAWINGS

- CITY OF SAN DIEGO STANDARD DRAWINGS, INCLUDING ALL REGIONAL STANDARD DRAWINGS, DOCUMENT NO. AEC1231063, FILED DECEMBER 31, 2006.
- STATE OF CALIFORNIA, DEPARTMENT OF TRANSPORTATION, STANDARD PLANS, DOCUMENT NO. AEC0925061, FILED SEPTEMBER 25, 2006.

TITLE 01
GCCG CONTRACT

SPECIFICATION NO. 3579



PLANS FOR THE CONSTRUCTION OF:
DOWNTOWN SAN DIEGO QUIET ZONE
TITLE SHEET

CITY OF SAN DIEGO, CALIFORNIA
ENGINEERING & CAPITAL PROJECTS DEPARTMENT
SHEET 1 OF 89 SHEETS

W.O. NO. 421031

CONTRACTOR MUST NOTIFY THE BELOW LISTED AGENCY AT LEAST TWO (2) WORKING DAYS PRIOR TO COMMENCEMENT OF EXCAVATION :

FOR CITY ENGINEER	DATE	SECTION HEAD
DESCRIPTION	BY	APPROVED
FILE NAME:	DATE:	RP
AS-BUILT	DATE STARTED	DATE COMPLETED

SCOTT A. JOHNSON
PROJECT MANAGER
RAILPROS, INC.
DESIGN ENGINEER
194-1725
LAMBERT COORDINATES

UNDERGROUND SERVICE ALERT
(USA) 1-800-422-4133

35023- 01-D

RAILPROS INC.
25 MAULCHLY DRIVE, SUITE 329
IRVINE, CA 92618
WWW.RAILPROS.COM
E-MAIL: INFO@RAILPROS.COM
PHONE: (714) 734-8765
FAX: (714) 734-8755